



FU XIANG CABINETS WAREHOUSE

KITCHEN • BATH • ORGANIZATION

ASSEMBLY INSTRUCTIONS Kitchen Base Cabinets

❖ General Instruction

- Read the instruction carefully before starting the installation.
- Follow all generally accepted safety procedures during assembly.

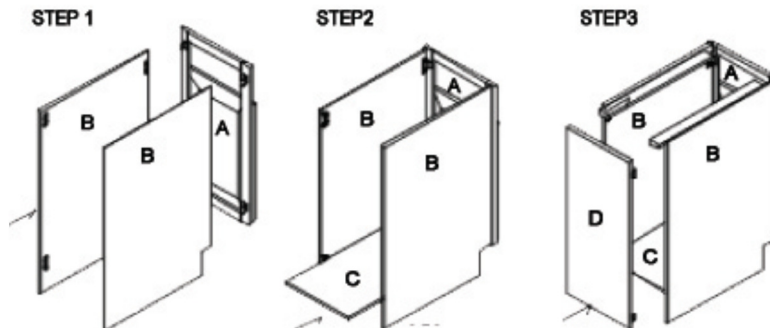
❖ Parts List: The following items are included in the carton.

ITEM	DESCRIPTION	Qty
A	Face Frame w/ Door	1
B	Side Panel (Right & Left)	2
C	Bottom Panel	1
D	Back Panel	1
E	Toe Kick	1
F	Shelf	1
G	Drawer Face	1 Door for B09/B12/B15/B18/B21/B24/B27/B30 2 Door for B33/B36/B39/B42
H	Drawer Box	1 (B09/B12/B15/B18/B21/B24/B27/B30) / 2 (B33/B36/B39/B42)
I	Slider (pair)	1 (B09/B12/B15/B18/B21/B24/B27/B30) / 2 (B33/B36/B39/B42)

NOTE: DRAWER BOX for MM, AWK, AW and COG are in separate carton
FACE FRAME & DOOR for BCF and BCR are in separate carton

❖ Instructio

- **STEP 1:** Put the Face Frame (A) down on a flat working surface and insert two (B) side panels into the grooves of Face Frame (A). Align the metal clip lock connector and lock it with a screwdriver.
- **STEP 2:** Spread the Side Panels (B) gently and insert Bottom Panel (C) into the grooves of Face Frame (A) and Side Panels (B) until it touches the Face Frame (A). Confirm that all is flush and lock connectors as STEP 1.
- **STEP 3:** Put the Back Panel (D) at the rear of the Side Panels (B) and Bottom Panel (C). Align them and lock each metal clip. Confirm that all is flush and lock connectors as STEP 1.

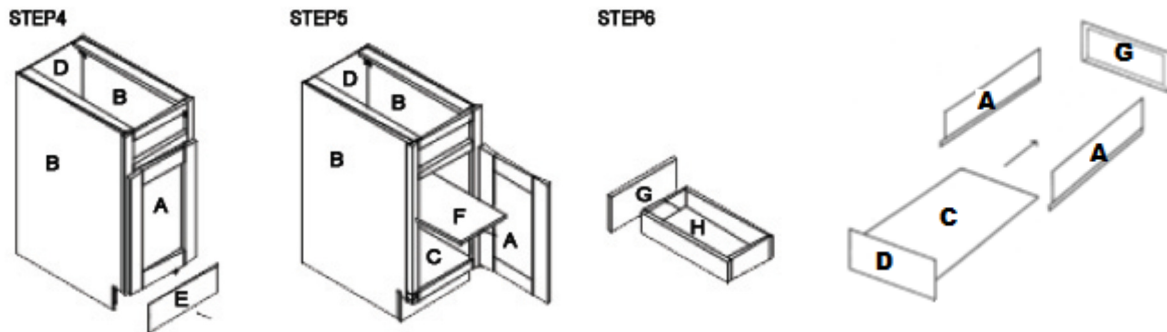




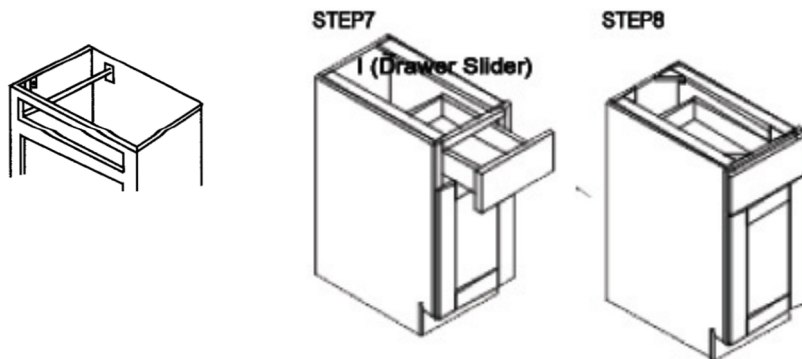
FU XIANG CABINETS WAREHOUSE

KITCHEN • BATH • ORGANIZATION

- **STEP 4:** Install the Toe Kick (E) on the Side Panels (B) at the front of the cabinet. Confirm that all is flush and lock as STEP1.
- **STEP 5:** Stand the cabinet upright and attached the 4 plastic Corner Braces in each corner of the cabinet by using screws. Insert the shelf holder into the holes in the cabinet Side Panels (B) at the desired height and slide in the Shelf (F) as shown below picture.
- **STEP 6:** Put the Drawer Face (G) and Drawer Box (H) together by using screws.
LD/BN/MC/BCR/BCF/BE Drawer needs to be assembled as follow:
Put 2 Side panels (a) into Drawer Front (g), align and confirm that all is flush. Then, insert the slid Drawer Bottom (c) into the grooves of the Drawer Sides (a) position Drawer Back (d) as shown in below picture.
MM/AWK/AW/COG Drawer Box has been assembled



- **STEP 7: LD/BN/MC/BCR/BCF** Install the Drawer Slider (I) through the opening of drawer in Face Frame (A) until the drawer slider is aligned with the Face Frame (A) and Install the drawer slider holder into the pre-attached drawer boot at the rear of the cabinet, the Back Panel (D). Then locate and fasten into pre-drilled holes in the Face Frame (A) with the screws. To install the other drawer slider, repeat STEP7 and inset the assembled drawers. Verify the operation of drawer and adjust the drawer slider if necessary.
INSTRUCTION of the FULL EXTENSION UNDERMOUNTSLIDER Installation for MM/AWK/AW/COG/BE
- **STEP 8:** The Base Cabinet is now complete. To install the base cabinet(s), confirm the condition of the wall (e.g., drywall, concrete, tiles) for proper method of the cabinet installation.
Example: To install the cabinet(s) on the drywall, run a stud finder along the drywall.



- ❖ **INSTRUCTION of the FULL EXTENSION UNDERMOUNTSLIDER Installation for MM/AWK/AW/COG/BE**